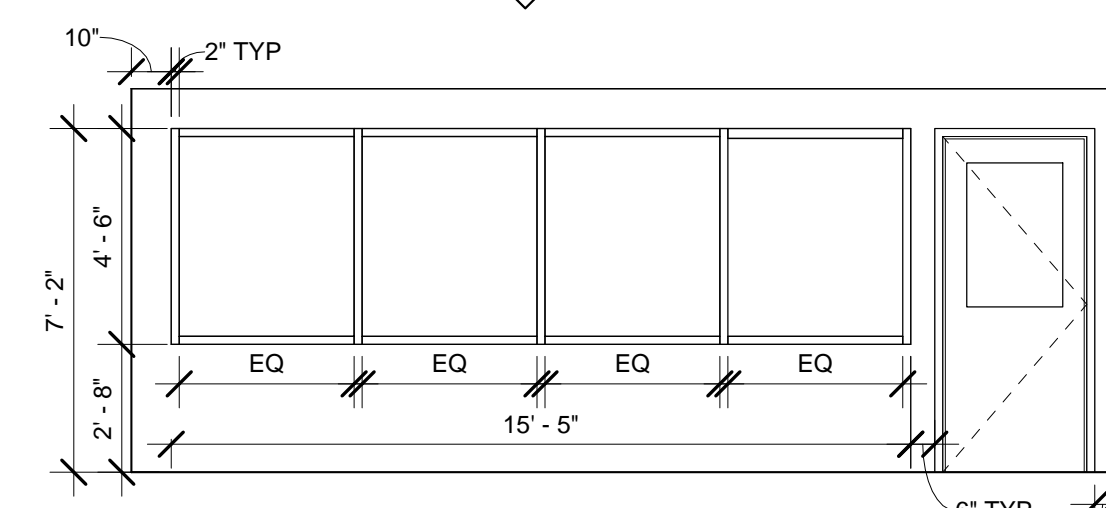
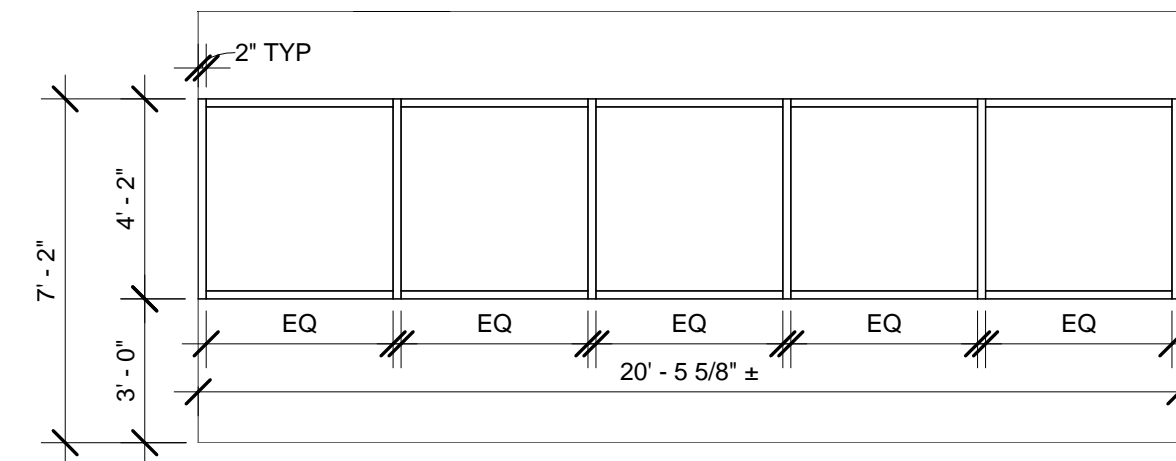


**WINDOW TYPE "A"**  
ALL GLAZING IS TO BE TEMPERED

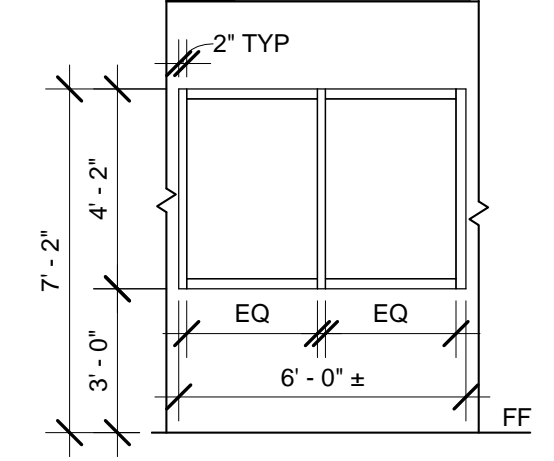


**WINDOW TYPE "B"**  
ALL GLAZING IS TO BE TEMPERED

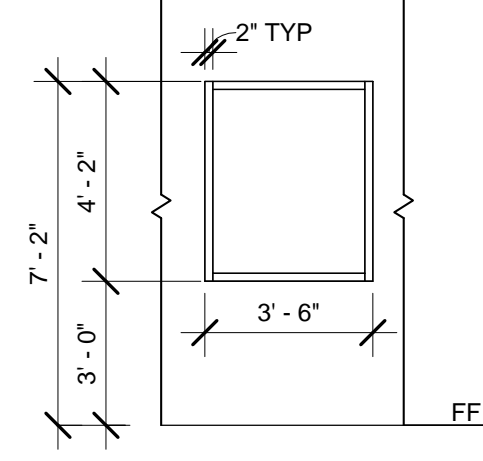


**WINDOW TYPE "C"**  
ALL GLAZING IS TO BE TEMPERED

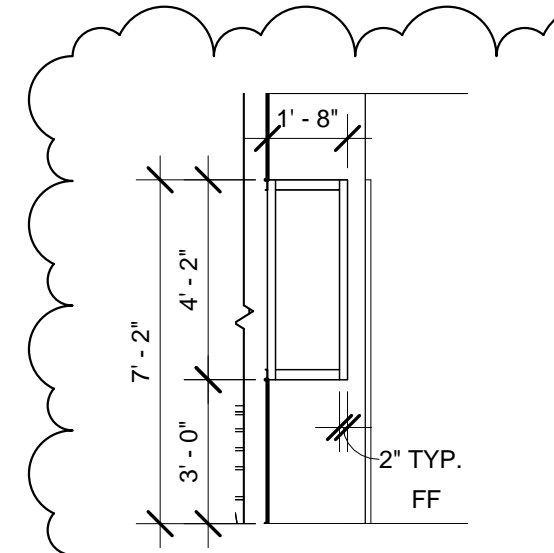
**WINDOW TYPES**



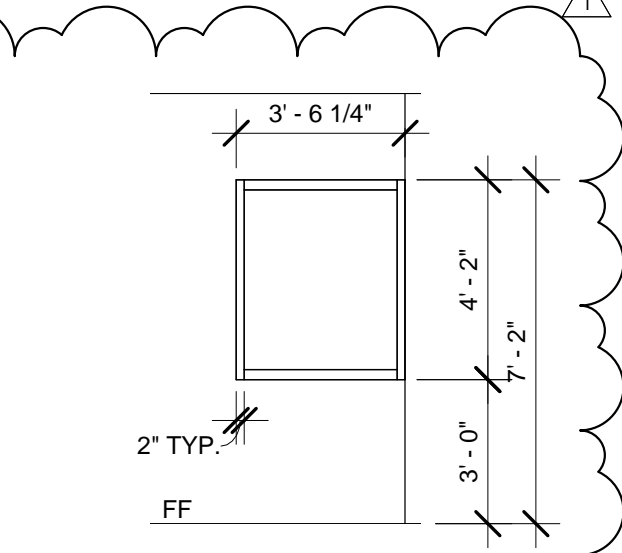
**WINDOW TYPE "D"**  
ALL GLAZING IS TO BE TEMPERED



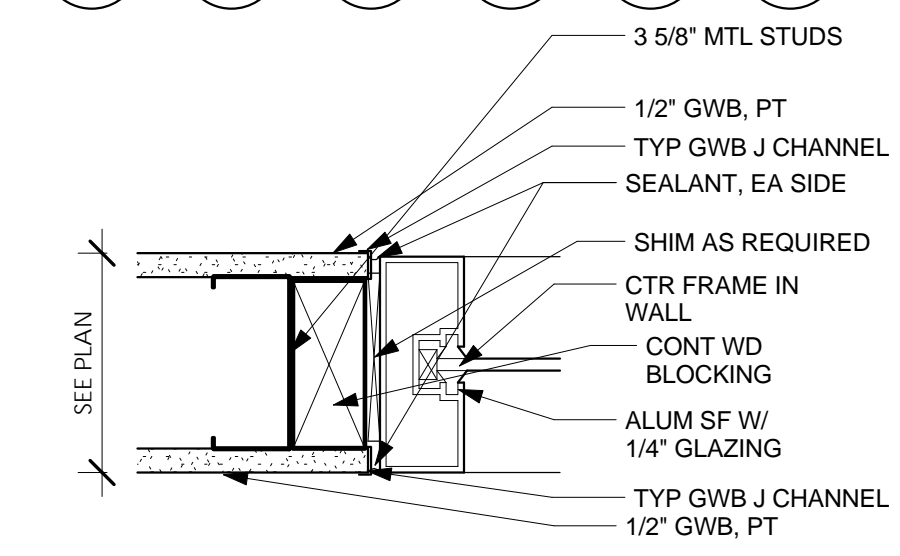
**WINDOW TYPE "E"**  
ALL GLAZING IS TO BE TEMPERED



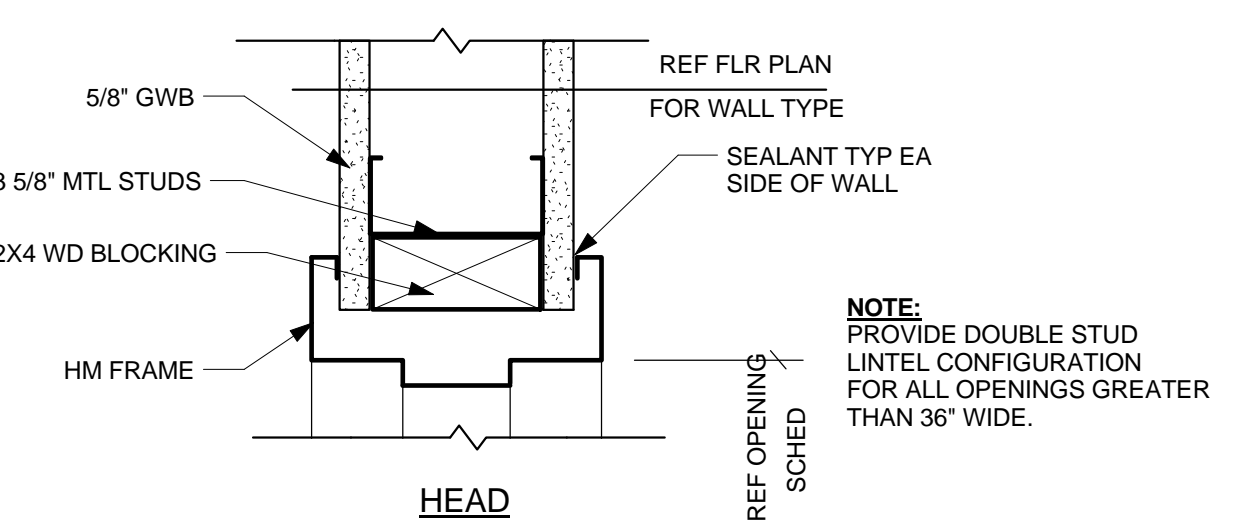
**WINDOW TYPE "F"**  
ALL GLAZING IS TO BE TEMPERED



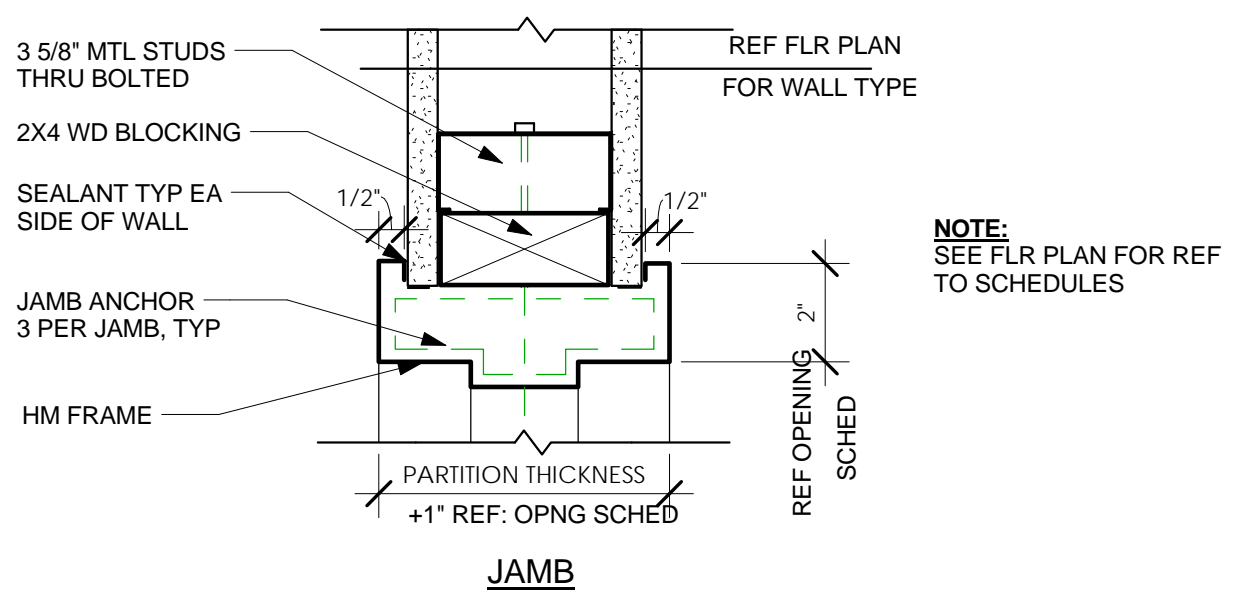
**WINDOW TYPE "G"**  
ALL GLAZING IS TO BE TEMPERED



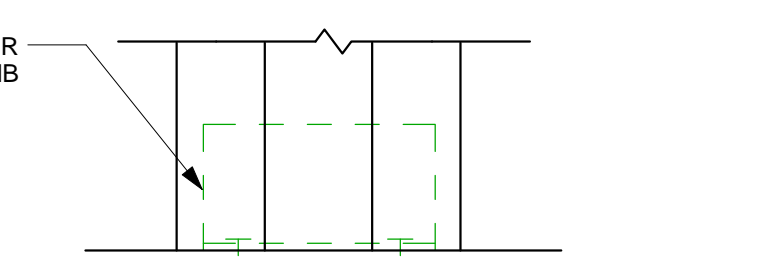
**8 A4** ALUM SF INT HEAD/JAMB DTL  
3' = 1'-0"



**HEAD**



**JAMB**



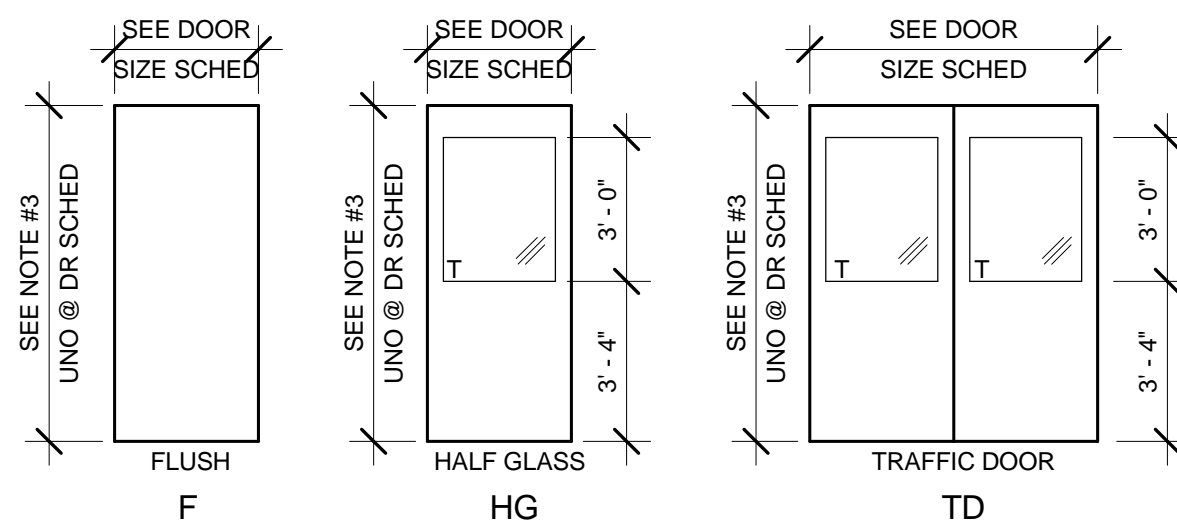
**7 A4** TYP INT HM DOOR FRAME  
3' = 1'-0"

| DOOR & OPENING SCHEDULE |                   |       |        |           |      |       |        |       |      |     |         |
|-------------------------|-------------------|-------|--------|-----------|------|-------|--------|-------|------|-----|---------|
| MARK                    | ROOM              | WIDTH | HEIGHT | THICKNESS | DOOR |       |        | FRAME |      | HDW | REMARKS |
|                         |                   |       |        |           | TYPE | MATL  | FINISH | ELEV  | MATL |     |         |
| 100                     | WAITING AREA      | 6'-0" | 7'-0"  | 1 3/4"    | TD   | WD/GL | STAIN  | TD    | HM   | 3   | 1,2,3   |
| 102                     | BREAK RM          | 3'-0" | 7'-0"  | 1 3/4"    | HG   | WD/GL | STAIN  | HG    | HM   | 1   | 1,2,3   |
| 103                     | SUPERVISOR OFFICE | 3'-0" | 7'-0"  | 1 3/4"    | HG   | WD/GL | STAIN  | HG    | HM   | 1   | 1,2,3   |
| 104                     | STORAGE           | 3'-0" | 7'-0"  | 1 3/4"    | F    | SCWD  | STAIN  | F     | HM   | 2   | 1,2,3   |
| 105                     | PRIVATE TESTING   | 3'-0" | 7'-0"  | 1 3/4"    | HG   | WD/GL | STAIN  | HG    | HM   | 1   | 1,2,3   |
| 107                     | SUPERVISOR OFFICE | 3'-0" | 7'-0"  | 1 3/4"    | HG   | WD/GL | STAIN  | HG    | HM   | 1   | 1,2,3   |
| 108                     | PRIVATE TESTING   | 3'-0" | 7'-0"  | 1 3/4"    | HG   | WD/GL | STAIN  | HG    | HM   | 4   | 1,2,3   |
| 109                     | PRIVATE TESTING   | 3'-0" | 7'-0"  | 1 3/4"    | HG   | WD/GL | STAIN  | HG    | HM   | 4   | 1,2,3   |
| 110                     | PRIVATE TESTING   | 3'-0" | 7'-0"  | 1 3/4"    | HG   | WD/GL | STAIN  | HG    | HM   | 4   | 1,2,3   |
| 111                     | PRIVATE TESTING   | 3'-0" | 7'-0"  | 1 3/4"    | HG   | WD/GL | STAIN  | HG    | HM   | 4   | 1,2,3   |
| 112A                    | TESTING RM        | 3'-0" | 7'-0"  | 1 3/4"    | HG   | WD/GL | STAIN  | HG    | HM   | 1   | 1,2,3   |
| 112B                    | TESTING RM        | 3'-0" | 7'-0"  | 1 3/4"    | HG   | WD/GL | STAIN  | HG    | HM   | 1   | 1,2,3   |
| 113A                    | TESTING RM        | 3'-0" | 7'-0"  | 1 3/4"    | HG   | WD/GL | STAIN  | HG    | HM   | 1   | 1,2,3   |
| 113B                    | TESTING RM        | 3'-0" | 7'-0"  | 1 3/4"    | HG   | WD/GL | STAIN  | HG    | HM   | 1   | 1,2,3   |
| 113C                    | TESTING RM        | 3'-0" | 7'-0"  | 1 3/4"    | HG   | WD/GL | STAIN  | HG    | HM   | 1   | 1,2,3   |

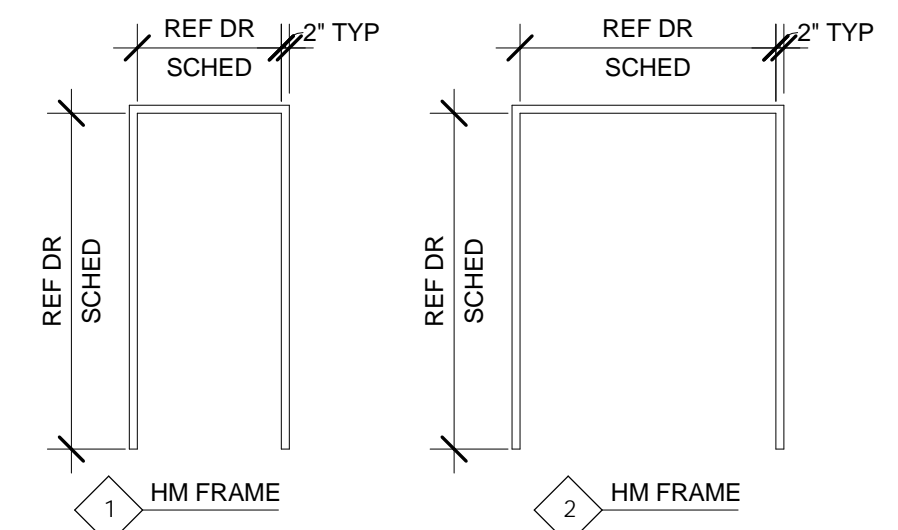
- HARDWARE SET 1:**
- 1-1/2 PAIR HINGES
  - 1 OFFICE LEVER LATCHSET
  - 1 LCN 4040 CLOSER
  - 1 DOOR STOP
  - 1 SILENCERS
- HARDWARE SET 2:**
- 1-1/2 PAIR HINGES
  - 1 STOREROOM LEVER LATCHSET
  - 1 LCN 4040 CLOSER
  - 1 DOOR STOP
  - 1 SILENCERS
- HARDWARE SET 3:**
- 3 PAIR HINGES
  - 1 ENTRY LEVER LATCHSET
  - 2 LCN 4040 CLOSER
  - 1 SILENCERS
  - 1 AUTOMATIC FLUSH BOLTS TOP AND BOTTOM
  - 1 CORDINATOR
- HARDWARE SET 4:**
- 1-1/2 PAIR HINGES
  - 1 PASSAGE LEVER LATCHSET
  - 1 LCN 4040 CLOSER
  - 1 SILENCERS

| OPENINGS SCHEDULE ABBREVIATIONS |                 |      |                |        |                    |
|---------------------------------|-----------------|------|----------------|--------|--------------------|
| AL/GL                           | ALUMINUM/GLASS  | HM   | HOLLOW METAL   | PTD    | PAINTED            |
| SCWD                            | SOLID CORE WOOD | ALUM | ALUMINUM       | PTD SG | PAINTED SEMI GLOSS |
| F                               | FLUSH           | FAC  | FACTORY FINISH | T      | TEMPERED GLAZING   |

**DOOR TYPES:**



**DOOR FRAME TYPES:**



| FINISH MATERIAL SCHEDULE |                         |                           |                                   |            |                                     |
|--------------------------|-------------------------|---------------------------|-----------------------------------|------------|-------------------------------------|
| CODE                     | MATERIAL                | MANUFACTURER PRODUCT NAME | COLOR NAME & NO.                  | FINISH     | REMARKS                             |
| <b>PAINT</b>             |                         |                           |                                   |            |                                     |
| PT-1                     | INTERIOR PAINT          | SHERWIN WILLIAMS          | ATMOSPHERE SW6505                 | EGGSHELL   | STANDARD WALL FINISH                |
| PT-2                     | INTERIOR PAINT          | SHERWIN WILLIAMS          | EXCITING ORANGE SW6647            | EGGSHELL   | ACCENT WALL FINISH                  |
| PT-3                     | INTERIOR PAINT          | SHERWIN WILLIAMS          | OUTER SPACE SW6251                | SEMI GLOSS | HOLLOW METAL WINDOW AND DOOR FRAMES |
| <b>CEILING</b>           |                         |                           |                                   |            |                                     |
| ACT-1                    | ACOUSTICAL CEILING TILE | ARMSTRONG                 | WHITE FINE FISSURED SELECTOR #815 |            | 2' X 2'                             |
| <b>COUNTERTOPS</b>       |                         |                           |                                   |            |                                     |
| PLAM                     | LAMINATE                | FORMICA                   | COPPER BEECH 2567-58              |            | COUNTERTOP AT FRONT DESK            |

| ROOM FINISH SCHEDULE |                   |       |      |           |             |       |
|----------------------|-------------------|-------|------|-----------|-------------|-------|
| RM                   | SCHEDULED NAME    | WALLS |      | CLG       | HT          | NOTES |
|                      |                   | MAT.  | FIN. |           |             |       |
| 100                  | WAITING AREA      | GWB   | PT-1 | ACT-1     | 9'-0"       |       |
| 101                  | FRONT DESK        | GWB   | PT-1 | ACT-1     | 8'-0"       | 1     |
| 102                  | WORK RM           | GWB   | PT-1 | ACT-1     | 9'-0"       |       |
| 103                  | SUPERVISOR OFFICE | GWB   | PT-1 | ACT-1     | 9'-0"       | 1     |
| 104                  | STORAGE           | GWB   | PT-1 | ACT-1     | 9'-0"       |       |
| 105                  | PRIVATE TESTING   | GWB   | PT-1 | ACT-1     | 9'-0"       |       |
| 106                  | HALLWAY           | GWB   | PT-1 | ACT-1     | 9'-0"       |       |
| 107                  | SUPERVISOR OFFICE | GWB   | PT-1 | ACT-1     | 9'-0"       |       |
| 108                  | PRIVATE TESTING   | GWB   | PT-1 | ACT-1     | 9'-0"       |       |
| 109                  | PRIVATE TESTING   | GWB   | PT-1 | ACT-1/GWB | 9'-0"       |       |
| 110                  | PRIVATE TESTING   | GWB   | PT-1 | ACT-1     | 9'-0"       |       |
| 111                  | PRIVATE TESTING   | GWB   | PT-1 | ACT-1     | 9'-0"       |       |
| 112                  | TESTING RM        | GWB   | PT-1 | ACT-1     | 8'-0"/9'-0" |       |
| 113                  | TESTING RM        | GWB   | PT-1 | ACT-1     | 8'-0"/9'-0" |       |

NOTE:  
1. SEE FLOOR PLAN FOR ACCENT WALL LOCATION

| ROOM FINISH SCHEDULE ABBREVIATIONS |             |     |                      |     |                         |
|------------------------------------|-------------|-----|----------------------|-----|-------------------------|
| CPT                                | CARPET      | VCT | VINYL COMPOSITE TILE | PT  | PAINT                   |
| RB                                 | RUBBER BASE | GWB | GYPSUM WALL BOARD    | ACT | ACOUSTICAL CEILING TILE |
| CONC                               | CONCRETE    |     |                      |     |                         |

| REV# | DATE     | DESCRIPTION |
|------|----------|-------------|
| 1    | 07/24/18 | ADDENDUM #1 |
| 2    | 07/31/18 | ADDENDUM #2 |

ARCHITECTS  
ENGINEERS  
PLANNERS  
SURVEYORS

**FW**

FREDERICK WARD ASSOCIATES  
410-828-7800  
www.fredrickward.com

HARFORD COMMUNITY COLLEGE

401 THOMAS RUN RD  
BEL AIR, MD 21015

SCHEDULES & DETAILS

FOR

RENOVATIONS

HCC MARYLAND HALL

401 THOMAS RUN RD  
BEL AIR, MD 21015

|                    |                              |
|--------------------|------------------------------|
| DATE:<br>05/17/18  | DRAWING NO.:                 |
| SCALE:<br>AS NOTED | <b>A4</b>                    |
| DRAWN BY:<br>AJF   |                              |
| CHECKED BY:<br>DBW | FWA JOB NUMBER<br>2181033.00 |